

IDEAS GENERATED DRAWING, DO NOT CHANGE BY HAND.

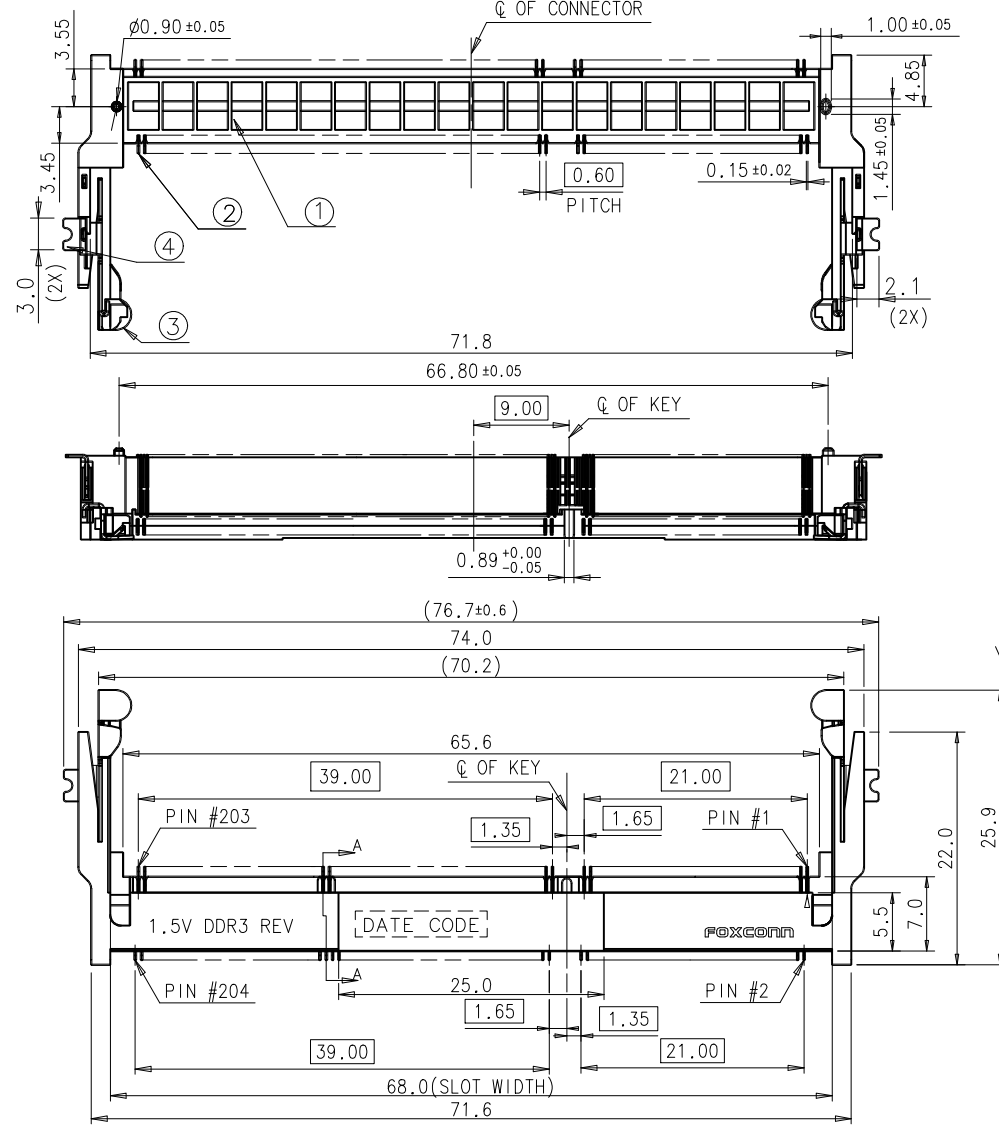
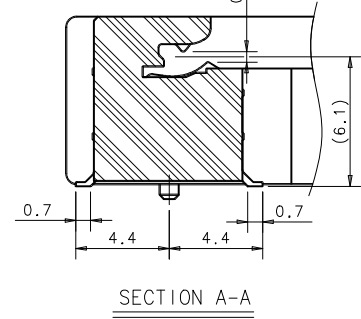
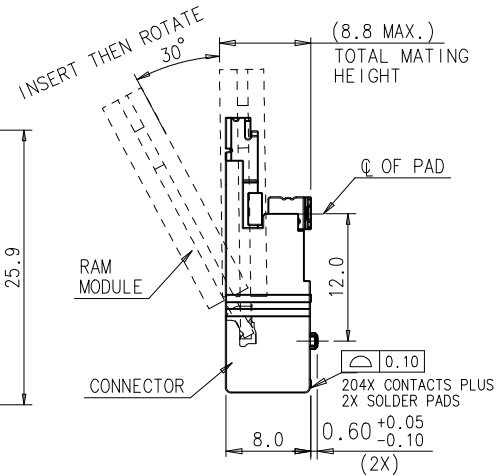
E	BC-13-0004449	C.S Li	REV.	ECN. NO.	APPD.
F	BC-13-0087028	C.S Li	A	BC-10-0098922	Herry Yang
G	BC-14-0008133	C.S Li	B	BC-11-0038746	Herry Yang
			C	BC-11-0049175	Herry Yang
			D	BC-11-0119959	Herry Yang

NOTES:

- ELECTRICAL CHARACTERISTICS:
 - CONTACT CURRENT RATING: 0.5 AMPERE MAX. PER PIN.
(PER PIN) DOESN'T EXCEED 30°C ABOVE AMBIENT AT 0.5 AMPERE MAX. PER PIN.
 - VOLTAGE RATING: 25V AC.
 - INSULATION RESISTANCE: 100 MEGAOHMS MIN. AT 500V DC.
 - DIELECTRIC WITHSTANDING VOLTAGE: 250V AC RMS AT 60Hz, FOR 1 MINUTE.
 - CONTACT RESISTANCE: 50 MILLIOHMS MAX. PER PIN INITIAL.
60 MILLIOHMS MAX. PER PIN AFTER FULL ENVIRONMENTAL TESTING.
- MECHANICAL CHARACTERISTICS: DURABILITY: 60 MATING CYCLES.
- OPERATION TEMPERATURE: -55°C TO +85°C.
- RECOMMENDED PROCESS CONDITION: SMT, PEAK TEMPERATURE: 260°C, 10"20S.
- PLEASE CONTACT FOXCONN SALES REPRESENTATIVE TO VERIFY PRODUCT DETAIL & AVAILABILITY.

PART NO. DESCRIPTION: A S O A6 2 * - H 8 R N - * H

- MEMORY MODULE SOCKET
- HORIZONTAL TYPE
- SINGLE ROW
- NO. OF POS.
- A6 = 204 POS.
- SMT
- CONTACT AREA PLATING
- 1-GOLD FLASH
- Y=5u* GOLD PLATING
- 6=10u* GOLD PLATING
- 7=15u* GOLD PLATING
- 3=30u* GOLD PLATING
- H=HALOGEN FREE & LEAD FREE
- 4=SOFT TRAY
- 7=TAPE REEL
- N=GENERAL TYPE
- R=REVERSE
- 8=8.0mm HEIGHT
- DDR CONNECTOR

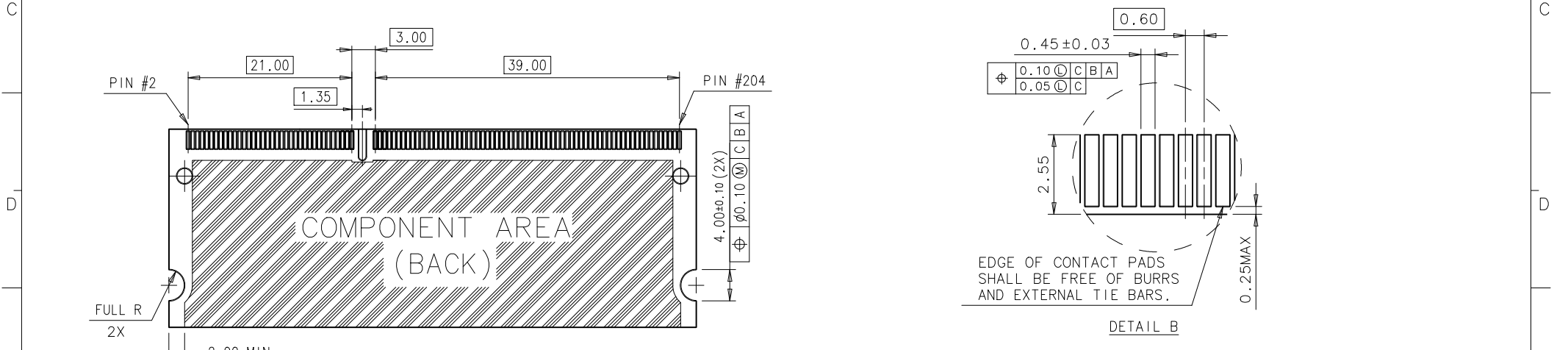
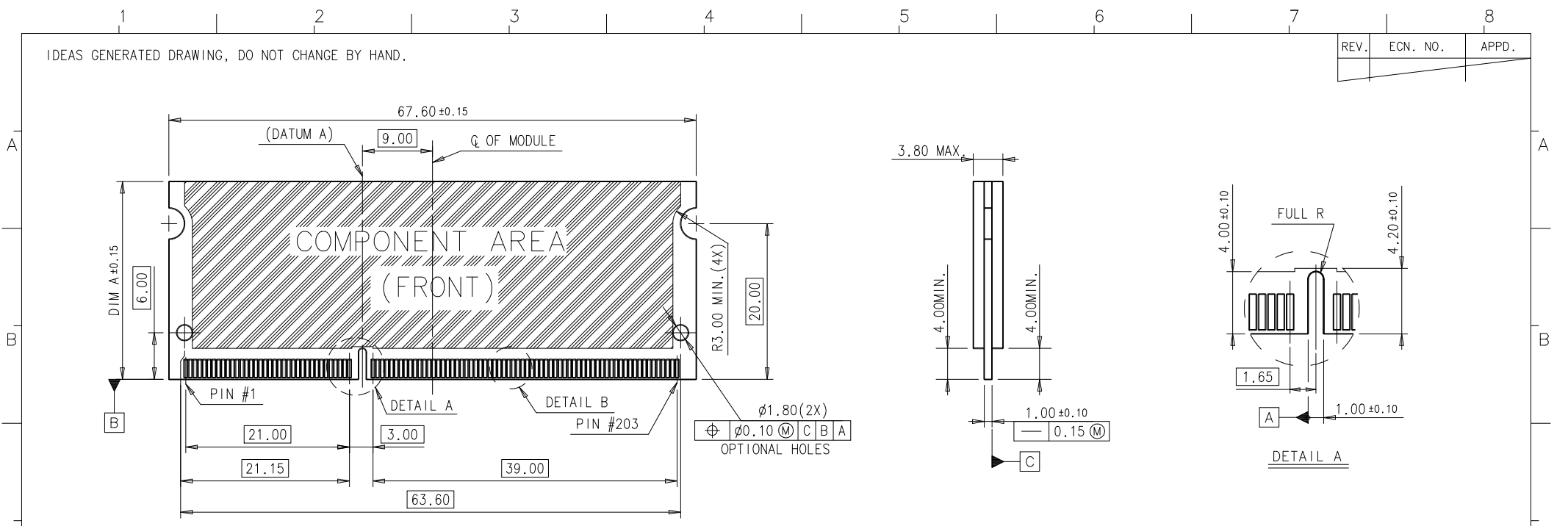


ITEM	DESCRIPTION	Q'TY	MATERIAL	TREATMENT
④	METAL PAD	2	COPPER ALLOY	50u* NICKEL UNDER PLATING OVER ALL 2u* Pd PLATING OVER SOLDER AREA
③	METAL SPRING	2	COPPER ALLOY	50u* NICKEL PLATING OVER ALL
②	CONTACT	204	COPPER ALLOY	50u* NICKEL UNDER PLATING GOLD FLASH AT TAIL GOLD FLASH OR 5u* OR 10u* OR 15u* OR 30u* GOLD PLATING AT CONTACT AREA
①	HOUSING	1	THERMOPLASTIC	UL94V-0, HALOGEN-FREE, IVORY COLOR

X. ± 0.30	X° ±	UNITS	mm	NAME (INTENDED USE)	FOXCONN®
.X ± 0.25	.X° ±	MAT'L		DDR III SO DIMM CONNECTOR	FOXCONN INTERCONNECT TECHNOLOGY LIMITED.
.XX ± 0.15	.XX° ±			PART NO. (INTENDED USE)	CLASS: □CONFIDENTIAL □SECRET ■GENERAL
.XXX ±	.XXX° ±	FINISH		ASOA62*-H8RN-*H	TITLE: CUSTOMER DRAWING
THESE DRAWINGS AND SPECIFICATIONS ARE THE PROPERTY OF FOXCONN INTERCONNECT TECHNOLOGY LIMITED. AND SHALL NOT BE REPRODUCED, COPIED OR USED IN ANY MANNER WITHOUT THE PRIOR WRITTEN CONSENT OF FOXCONN INTERCONNECT TECHNOLOGY LIMITED.				APPD:	C.S Li
				CHKD:	ZH Wang
				DR:	Wang Justin 2/24'14
				DWG NO. : 317-0000-1997	
				SCALE	SHEET
				N/A	1/5
				REV.	G

IDEAS GENERATED DRAWING, DO NOT CHANGE BY HAND.

REV.	ECN. NO.	APPD.



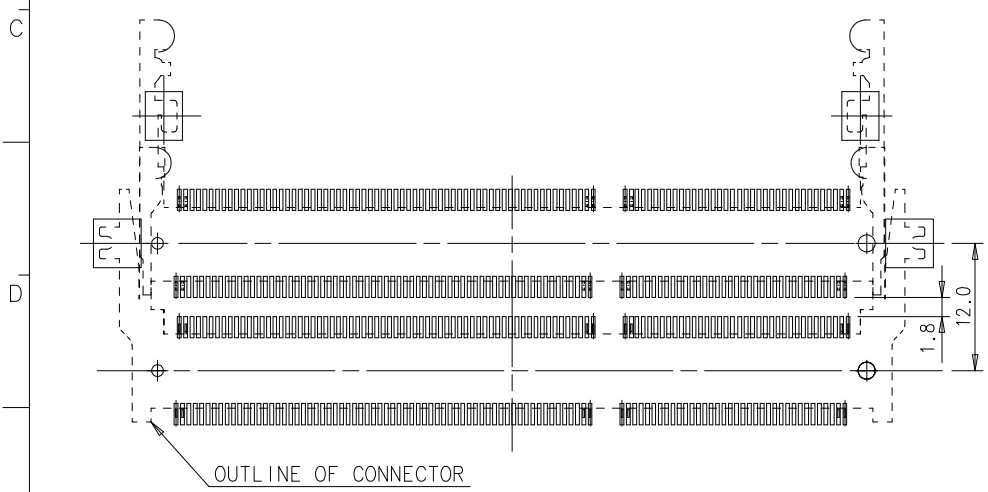
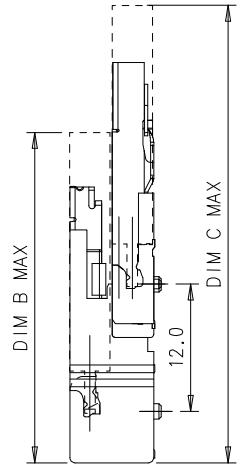
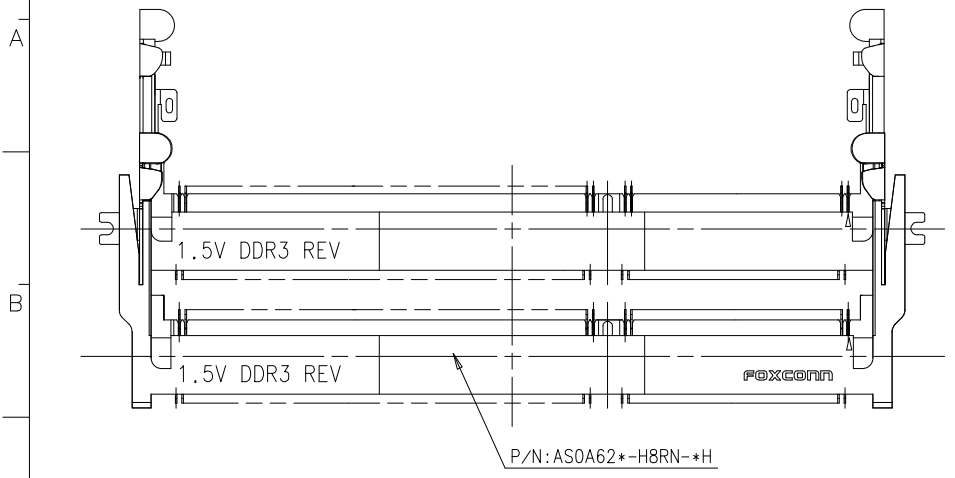
DDR III SO-DIMM MODULE BOARD LAYOUT

SDRAM VARIATIONS	DIM A
TYPE 1	25.40
TYPE 2	31.75
TYPE 3	30.00

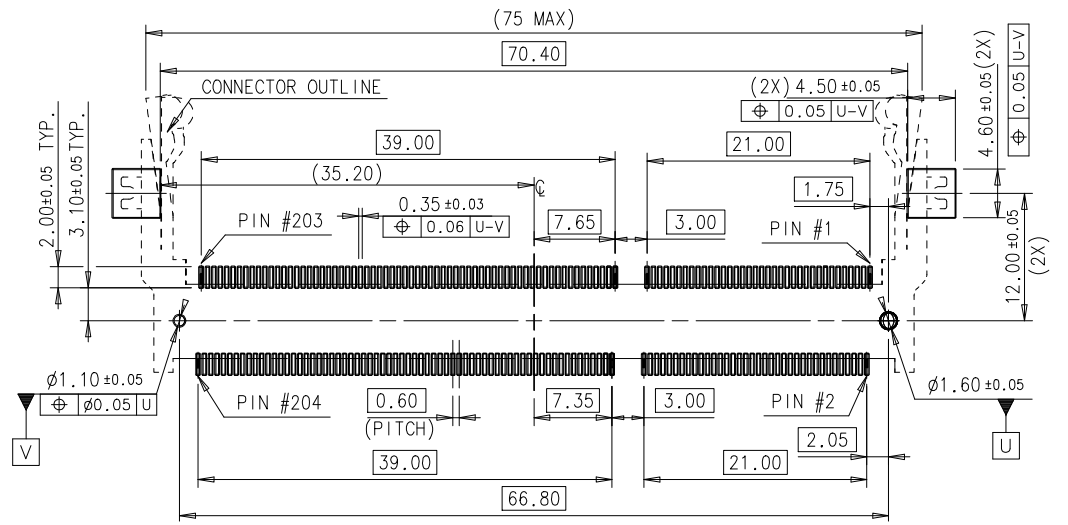
X. ± 0.25	X° ±	UNITS	mm	NAME (INTENDED USE)	FOXCONN®			
.X ± 0.10	.X° ±	MAT'L		DDR III SO DIMM CONNECTOR	FOXCONN INTERCONNECT TECHNOLOGY LIMITED.			
.XX ± 0.05	.XX° ±			PART NO. (INTENDED USE)	CLASS: □ CONFIDENTIAL □ SECRET ■ GENERAL			
.XXX ±	.XXX° ±	FINISH		ASOA62*-H8RN-*H	TITLE: CUSTOMER DRAWING			
THESE DRAWINGS AND SPECIFICATIONS ARE THE PROPERTY OF FOXCONN INTERCONNECT TECHNOLOGY LIMITED, AND SHALL NOT BE REPRODUCED, COPIED OR USED IN ANY MANNER WITHOUT THE PRIOR WRITTEN CONSENT OF FOXCONN INTERCONNECT TECHNOLOGY LIMITED.				APPD:	C.S Li			
				Q'TY	CHKD:	ZH Wang	DWG NO.:	317-0000-1997
					DR:	Wang Justin 2/24/14	SCALE	SHEET
					N/A	2/5	G	

IDEAS GENERATED DRAWING, DO NOT CHANGE BY HAND.

REV.	ECN. NO.	APPD.



P.C.B. LAYOUT (STACKED ORIENTATION)



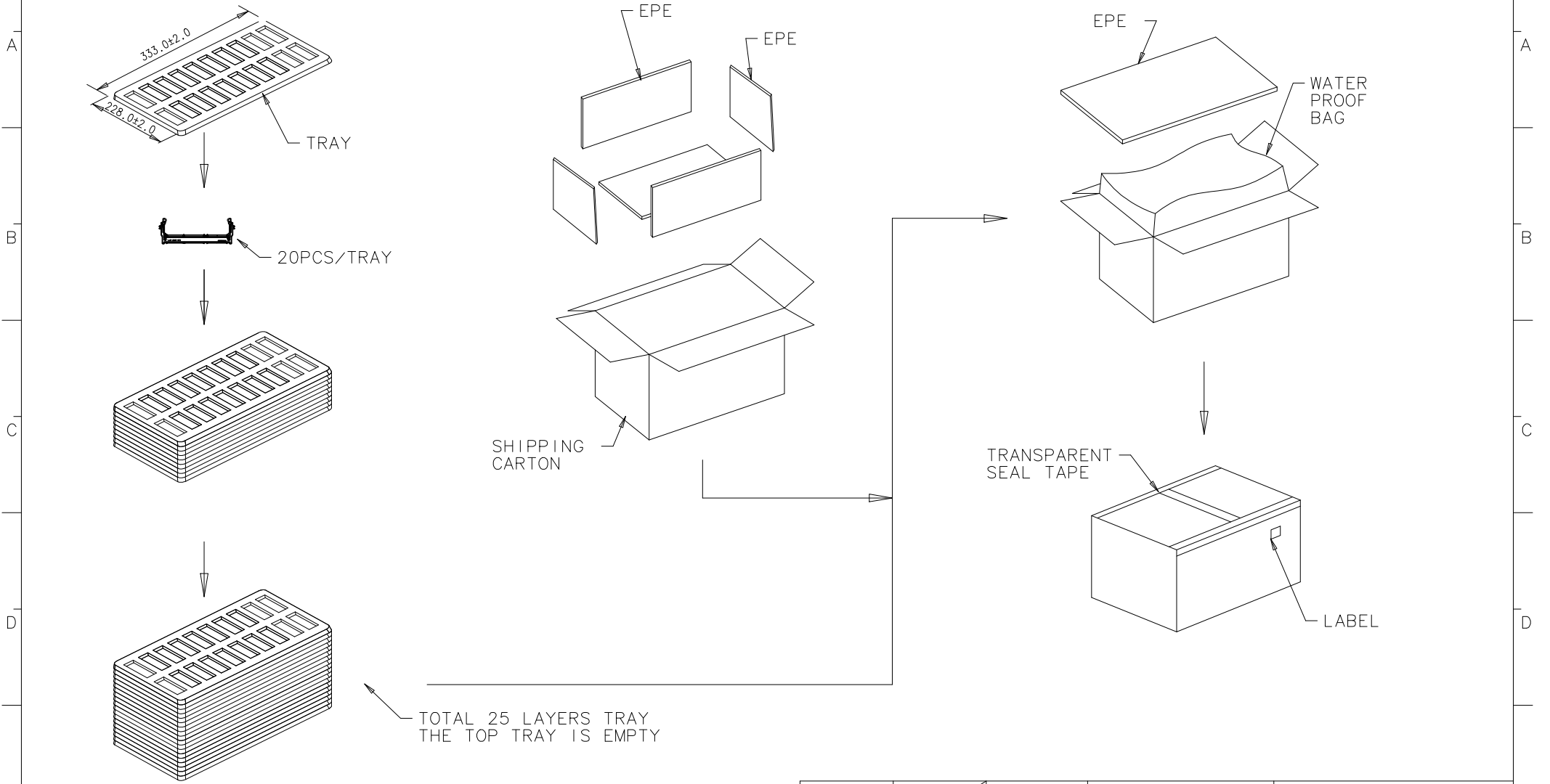
RECOMMEND P.C.B. LAYOUT

SDRAM VARIATIONS	DIM B	DIM C
TYPE 1	30.4	42.4
TYPE 2	36.7	48.7
TYPE 3	35.0	47.0

X. ± 0.25	X° ±	UNITS mm	NAME (INTENDED USE)	FOXCONN®
.X ± 0.10	.X° ±	MAT'L	DDRIII SO DIMM CONNECTOR	FOXCONN INTERCONNECT TECHNOLOGY LIMITED.
.XX ± 0.05	.XX° ±		PART NO. (INTENDED USE)	CLASS: <input type="checkbox"/> CONFIDENTIAL <input type="checkbox"/> SECRET <input checked="" type="checkbox"/> GENERAL
.XXX ±	.XXX° ±	FINISH	AS0A62*-H8RN-*H	TITLE: CUSTOMER DRAWING
THESE DRAWINGS AND SPECIFICATIONS ARE THE PROPERTY OF FOXCONN INTERCONNECT TECHNOLOGY LIMITED. AND SHALL NOT BE REPRODUCED, COPIED OR USED IN ANY MANNER WITHOUT THE PRIOR WRITTEN CONSENT OF FOXCONN INTERCONNECT TECHNOLOGY LIMITED.			APPD: C.S Li	DWG NO.:
			CHKD: ZH Wang	317-0000-1997
			DR: Wang Justin 2/24'14	SCALE SHEET REV.
				N/A 3/5 G

IDEAS GENERATED DRAWING, DO NOT CHANGE BY HAND.

REV.	ECN. NO.	APPD.



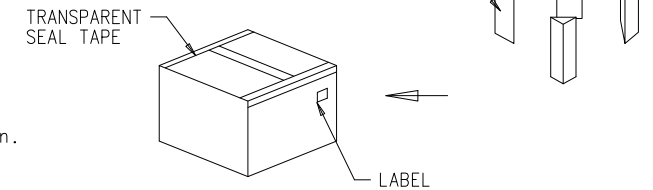
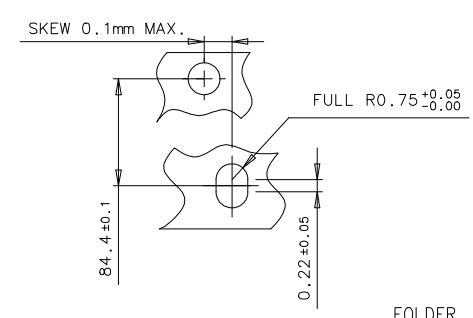
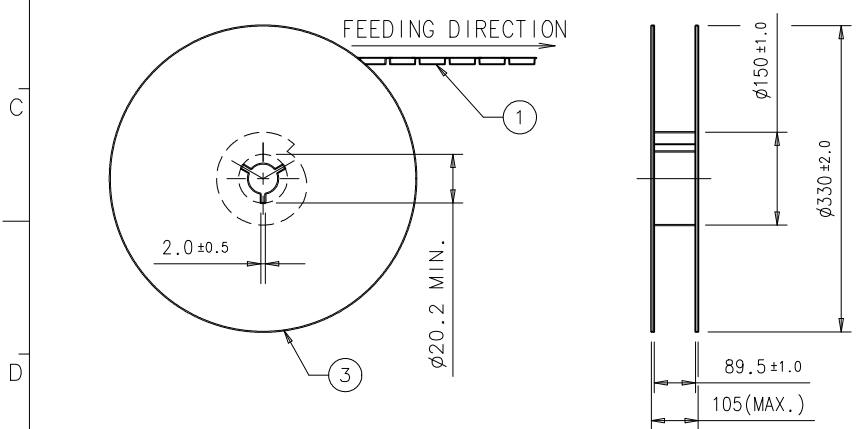
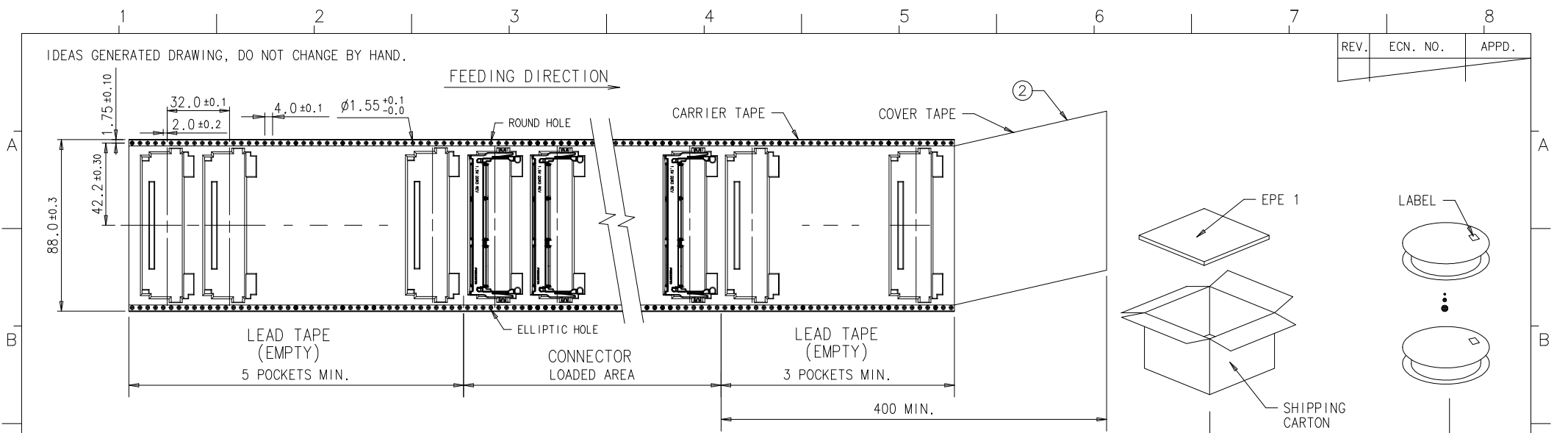
NOTES:
1. PACKING CAPACITY : 20 PCS/TRAY, 24 TRAYS/BOX,
TOTAL 480 PCS/BOX.

X. ± 1.5	X° ±	UNITS mm	NAME (INTENDED USE)	FOXCONN®
.X ± 1.0	.X° ±	MAT'L	DDRIII SO DIMM CONNECTOR	FOXCONN INTERCONNECT TECHNOLOGY LIMITED.
.XX ± 0.5	.XX° ±	FINISH	PART NO. (INTENDED USE)	CLASS: <input type="checkbox"/> CONFIDENTIAL <input type="checkbox"/> SECRET <input checked="" type="checkbox"/> GENERAL
.XXX ±	.XXX° ±		AS0A62*-H8RN-*H	TITLE: CUSTOMER DRAWING
THESE DRAWINGS AND SPECIFICATIONS ARE THE PROPERTY OF FOXCONN INTERCONNECT TECHNOLOGY LIMITED. AND SHALL NOT BE REPRODUCED, COPIED OR USED IN ANY MANNER WITHOUT THE PRIOR WRITTEN CONSENT OF FOXCONN INTERCONNECT TECHNOLOGY LIMITED.			APPD: C.S Li	DWG NO.:
			QTY	CHKD: ZH Wang
			DR: Wang Justin 2/24'14	SCALE SHEET REV. N/A 4/5 G

CONNECTOR P/N	AS0A62*-H8RN-4H
---------------	-----------------

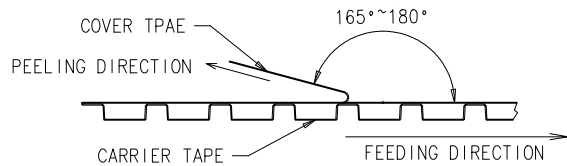
IDEAS GENERATED DRAWING, DO NOT CHANGE BY HAND.

REV.	ECN. NO.	APPD.



NOTES:

1. 10 POCKETS HOLE PITCH CUMULATIVE TOLERANCE ±0.20mm.
2. COVER TAPE PEELING STRENGTH : 0.01kgf MIN., 0.15 kgf MAX. AT 300mm/min.



3. PACKING CAPACITY : 140 PCS/REEL, 3 REELS/BOX, TOTAL 420 PCS/BOX.

③	REEL	POLYSTYRENE
②	COVER TAPE	POLYESTER
①	CARRIER TAPE	POLYSTYRENE
ITEM	DESCRIPTION	MATERIAL

X. ± 1.5	X° ±	UNITS mm	NAME (INTENDED USE)	FOXCONN®
.X ± 1.0	.X° ±	MAT'L	DDR III SO DIMM CONNECTOR	
.XX ± 0.5	.XX° ±	FINISH	PART NO. (INTENDED USE)	FOXCONN INTERCONNECT TECHNOLOGY LIMITED.
.XXX ±	.XXX° ±		ASOA62*-H8RN-*H	CLASS: □CONFIDENTIAL □SECRET ■GENERAL
THESE DRAWINGS AND SPECIFICATIONS ARE THE PROPERTY OF FOXCONN INTERCONNECT TECHNOLOGY LIMITED. AND SHALL NOT BE REPRODUCED, COPIED OR USED IN ANY MANNER WITHOUT THE PRIOR WRITTEN CONSENT OF FOXCONN INTERCONNECT TECHNOLOGY LIMITED.			APPD: C.S Li	TITLE: CUSTOMER DRAWING
			CHKD: ZH Wang	DWG NO.: 317-0000-1997
QTY			DR: Wang Justin 2/24/14	SCALE SHEET REV.
				N/A 5/5 G

CONNECTOR P/N ASOA62*-H8RN-7H